

REVO VM IV series

Hybrid On & Off Grid Energy Storage Solar Inverter

3.6/5.6/8/11KW



MPPT

Built-in two MPPT(8KW-10KW), with wide input range:120~450VDC



Battery

Battery equalization function extend lifecycle
Reserved communication port (RS485,CAN) for BMS



On&Off-Grid

REVO VM IV series is suitable for on&off-grid applications.



Easy access

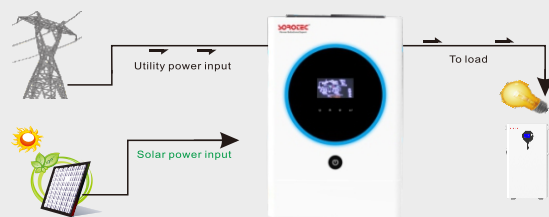
Communication WIFI or bluetooth
Touchable button with large 5" colorful LCD



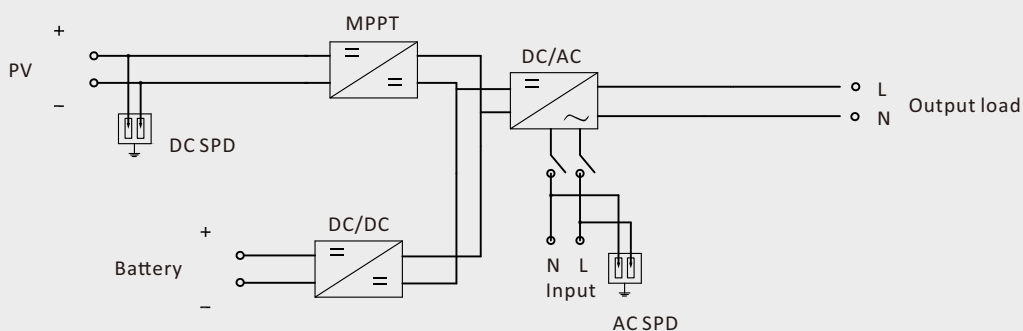
With battery connected



Without battery connected



Schematic diagram



Technical Specification	REVO VM IV series			
Rated Power(W)	3600	5600	8000	11000
AC INPUT				
Nominal Voltage(VAC)	230			
Voltage range(VAC)	120-280			
Frequency range(Hz)	50/60			
AC OUTPUT				
Surge power	7200	11200	16000	22000
Output voltage(VAC)	220/230/240			
Output wave form	Pure sine wave			
Rated Frequency(Hz)	50/60			
Efficiency	up to 93.5%			
Transfer time	10ms typical (narrow range); 20ms typical (wide range)			
BATTERY				
Nominal DC voltage(VDC)	24	48		
Floating charge voltage(VDC)	27	54		
Overcharge protection(VDC)	31	63	60	63
Battery type	Lithium & Lead-acid			
SOLAR CHARGER & AC CHARGER				
Max. PV array open circuit voltage(VDC)	500			
Max. PV array power(W)	5500	4000*2		5500*2
MPPT input voltage range@operating (VDC)	90-450			
Max. input current(A)	18	18	18*2	27*2
Max. solar charging current(A)	120			150
Max. AC charging current(A)	100	120		150
Max. charging current(A)	120			150
DISPLAY & INTERFACE				
Parallel function	up to 6 units			
Communication	Standard:RS232,CAN&RS485 ; Optional: WiFi ,Bluetooth			
Display	5' colorful LCD			
ENVIRONMENT				
Humidity	0~90% RH (No Condensing)			
Operating Temperature	0 to 50°C			
Net Weight(KG)	9	10	18.8	20
Dimensions D x W x H (mm)	302*500*132.5		420*561.6*152.4	